

NICE BUILT-IN BURNERS™

www.decoflame.com



Nice Built-in Burners™ is designed to add the coziness and wild romantic of an open fire to both indoor and outdoor spaces.

NICE BUILT-IN BURNERS™

www.decoflame.com

FEATURES

- decoflame® brushed stainless steel manual burner
- Indoor/outdoor
- Glass screen
- No chimney required
- No smoke, ash or soot
- Shutter tool
- Lighter
- Fuel Funnel

TECHNICAL INFORMATION

Capacity: Lounge 1,25L / Tower 1,8L / Round 1,8L

Fuel consumption: 0,3l/h

Burning time: up to 6h

Heat output: 1,8 kW/h

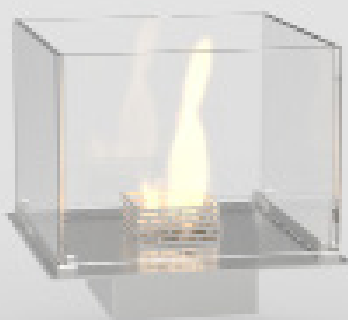
Net weight: 7,5kg / 12kg / 7,5kg

Materials: Burner - brushed stainless steel and hardened glass.

Finish: Brushed stainless steel.



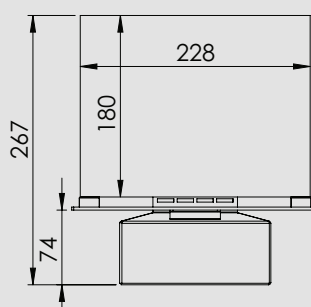
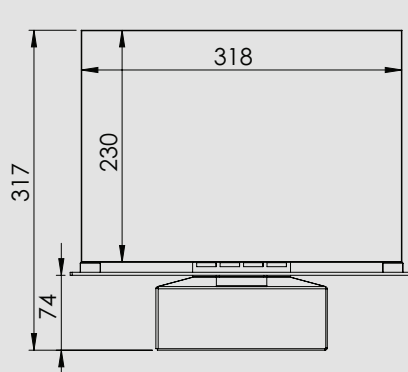
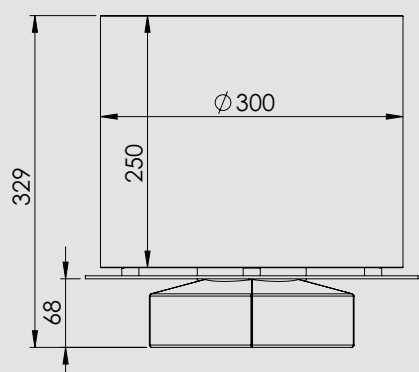
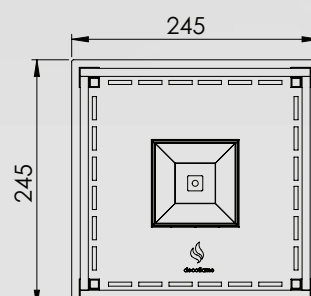
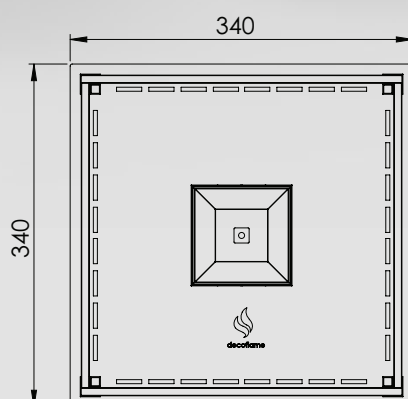
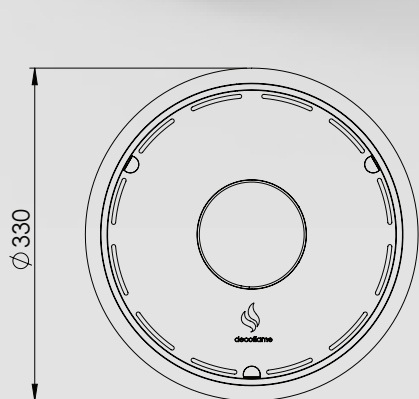
Nice Round™ Built-in



Nice Square Tower™ Built-in

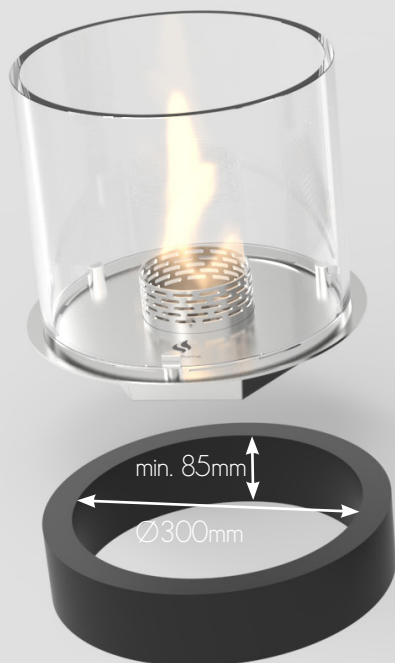


Nice Square Lounge™ Built-in

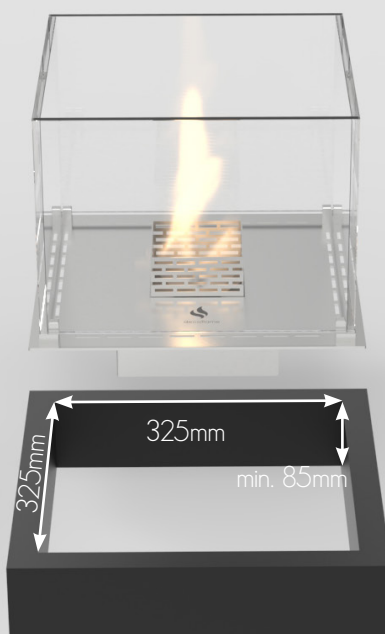


NICE BUILT-IN BURNERS™

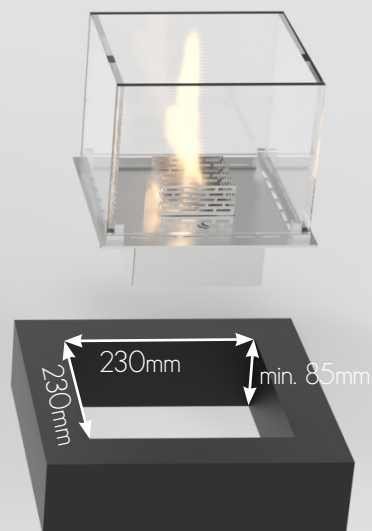
www.decoflame.com



Nice Round™ Built-in
Wall cut-out dimensions
Ø300mm min. 85mm



Nice Square Tower™ Built-in
Wall cut-out dimensions
325x325x85mm



Nice Square Lounge™ Built-in
Wall cut-out dimensions
230x230x85mm

